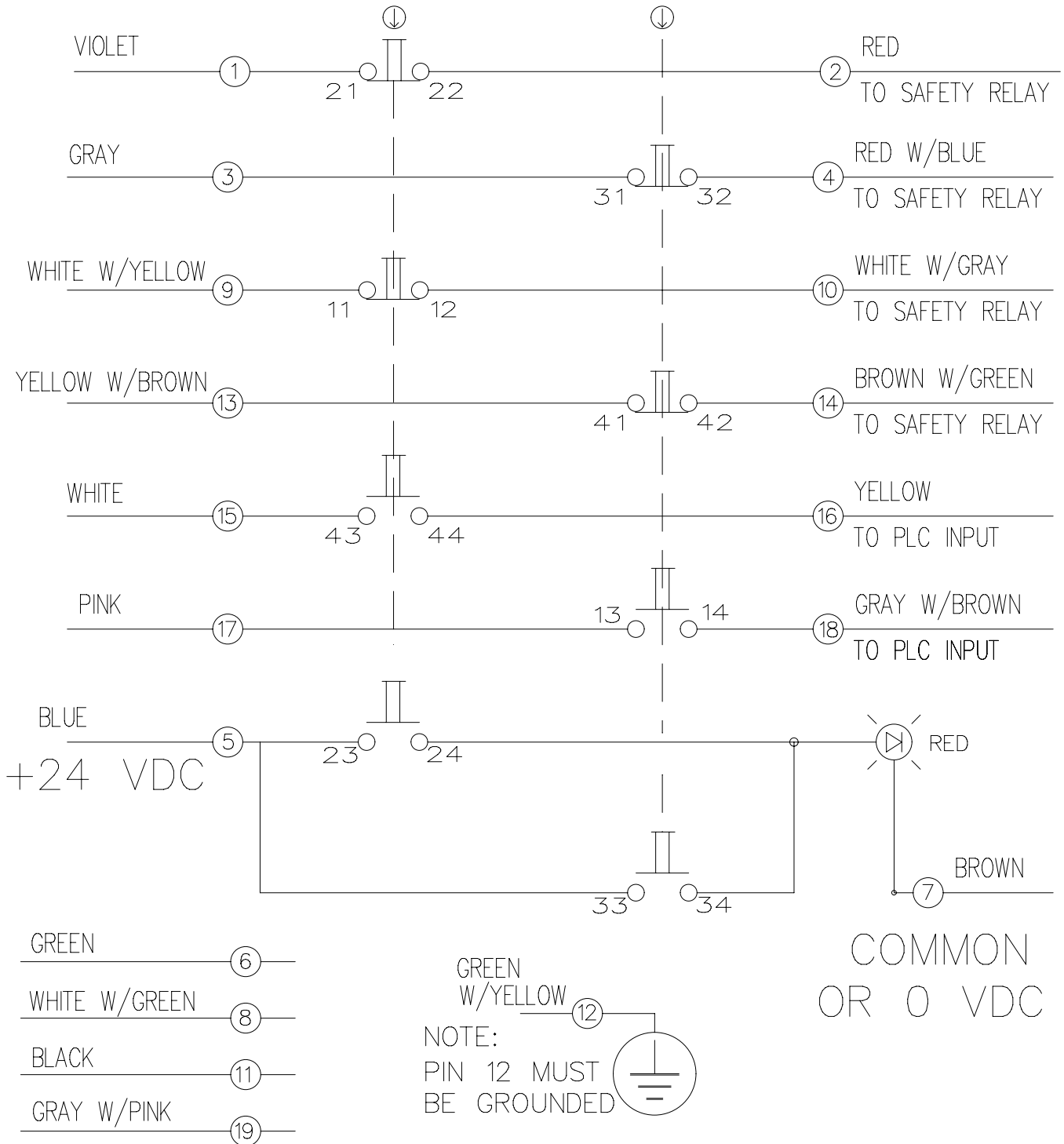


19 PIN MINI-CHANGE CONNECTOR
LH SIDE RH SIDE



REVISIONS
7-30-07 GLH RELEASED ECN 07017

REES, INC.

PO BOX 652, FREMONT, IN 46737

WIRING DIAGRAM, 95954-214

MATERIAL SEE ABOVE

PN 308	TOLERANCES UNLESS OTHERWISE SPECIFIED	DRN BY	GLH	PART NO	94954-214
	.XX = +/- .01	DATE	7-23-07	DWG NO	A 94954
	.XXX = +/- .005	CHK'D BY		SCALE	SHT NO
	ANGLES = +/- 1°				214